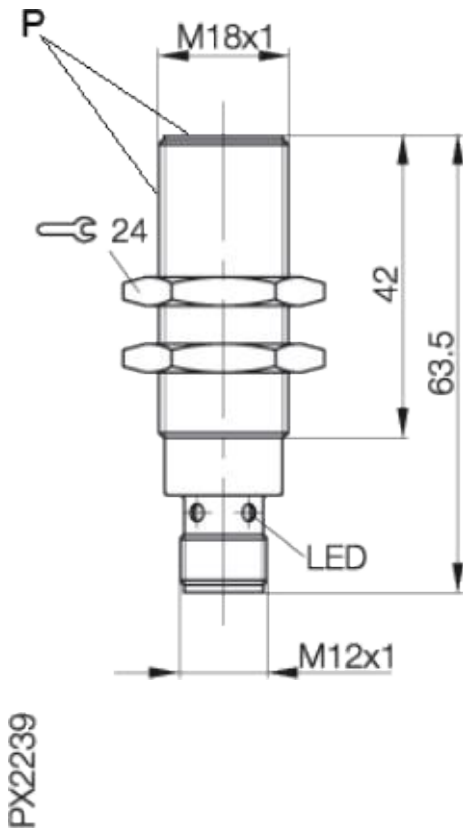


Inductive Sensors
BES M18EG1-NSC10Z-S04G-S11
M18x1 x 63,5
normally-open
Sn=10mm
quasi shielded
Pressure resistance in "P" area 60bar



Common Data

Mounting in steel	quasi shielded
Rated operating distance Sn	10mm
Assured operating distance Sa	0...8mm
Repeatability R	≤ 5%
Hysteresis	≤ 15%
Function indication	yes
Ambient temperature range	-25...+70°C
Polution Degree	3
Time delay before availability	≤ 35ms
Particular characteristics	Pressure resistance in "P" area 60bar

Mechanical Data

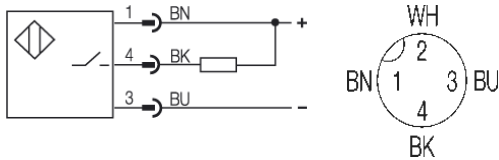
Measurements BxHxT or DxT	M18x1 x 63,5mm
Housing material	1.4305
Material of sensing face	1.4305
Degree of protection	IP67IP
Connection	Connector S4 (M12)
Schock: Halbsinus, 30 gn, 11ms	
Vibration: 55 Hz, 1mm Amplitude, 3 x 30 Minutes	

Electrical Data

Current type	DC
Wiring	3-Wire
switching function	normally-open
Output signal	NPN
Rated operational voltage	24 DCV
Rated operational current	200mA
Supply voltage	10...30 DCV
Ripple	≤ 15%
max. switching frequency	200Hz
No-load supply current	≤ 16/≤ 9mA
Off-state current	≤ 100µA
Voltage drop	≤ 2V
Short circuit protection	yes
Protected against polarity reversal	yes

Remarks

LED blinks in the range between 100% und approx. 70% from Sr
 When mounting in metals, the switching distance may be reduced up to 50%.
 Only mounting clamps without positive stop are permitted.
 See installation notes 841020 !



Utilization categories
 Insulation class

DC 13

Datasheet number:

Definitions see general catalog.
 If not otherwise noted, ratings according to IEC 60947-5-2 (DIN EN60947-5-2)

Balluff GmbH
 Schurwaldstrasse 9
 73765 Neuhausen a.d.F.
 Phone (07158) 173-0 Fax (07158) 5010

Datenblatt by CD-ROM - 04/2007

